

PENTOLE INDIRETTE 80/100 & 100/150Lt E900XP
BOILING PAN INDIRECT HEATING 80/100 & 100/150Lt E900XP

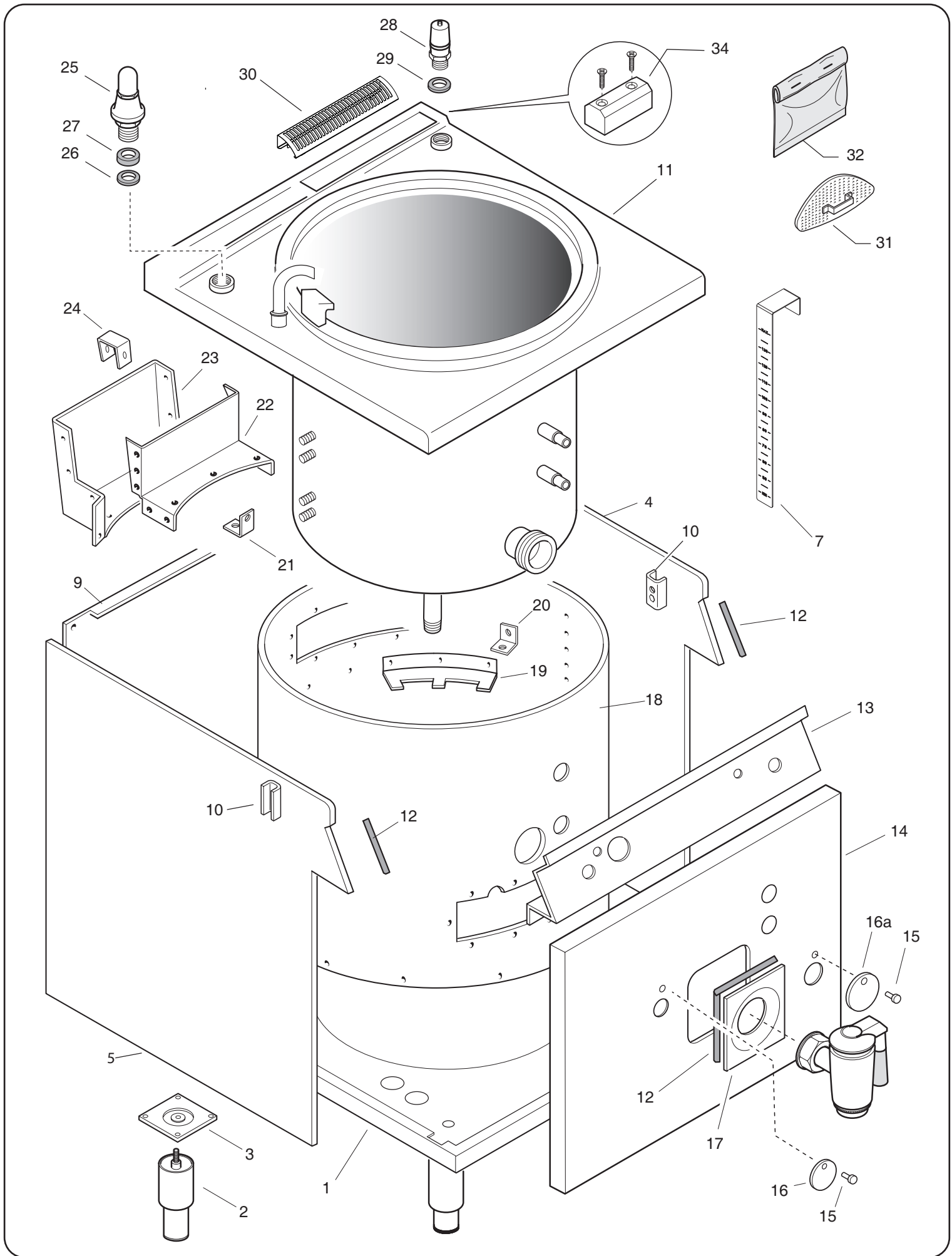
PNC	Model	Ref	Description
391291	E9BSGHIP40	A	80/100LT GAS BOILING PAN-INDIRECT HEATING
391292	E9BSGHIP4R	B	80/100LT GAS BOILING PAN-INDIRECT HEATING AUTOMATIC REFILL JACKET.
391293	E9BSGHIR40	C	100/150LT GAS BOILING PAN-INDIRECT HEATING.
391294	E9BSGHIR4R	D	100/150LT GAS BOILING PAN-INDIRECT HEATING AUTOMATIC REFILL JACKET.
391295	E9BSGHIR4C	E	100/150LT GAS BOILING PAN-INDIRECT HEATING AUTOCLAVE LID.
391614	E9NNETBAMEI	C	150LT GAS BOILING PAN-INDIR.HEAT-60HZ - QMARK
391615	E9NNETBAMEB	D	150 LT GASBOIL.PAN-INDIR.HEAT.AUT-60HZ
391616	E9NNETBAMEC	E	150LT GAS BOILING PAN-INDIR.HEAT-AUTOCLAVE-60HZ - QMARK

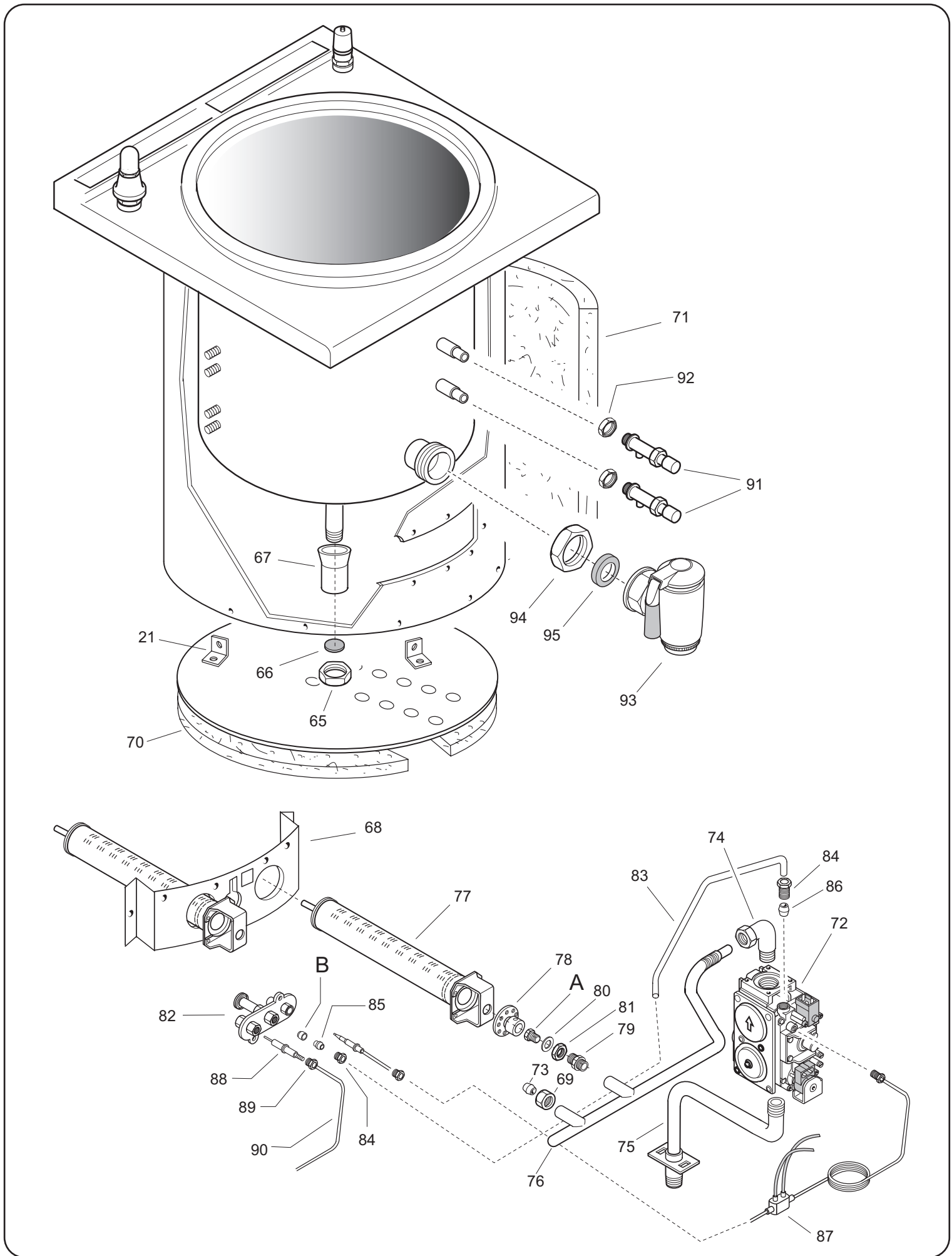
Index	Page
General components / Componenti struttura	2
Cover components / Componenti coperchio	3
Gas components / Componenti gas	4
Electric components / Componenti elettrici	5
Automatic components up to wk 2022/29 / Componenti carico automatico fino a wk 2022/29	6
Automatic components from wk 2022/30 / Componenti carico automatico da wk 2022/30	7
Pilot / Burner Nozzle / Tabelle ugelli	8
Spare parts list / Lista ricambi	9-12

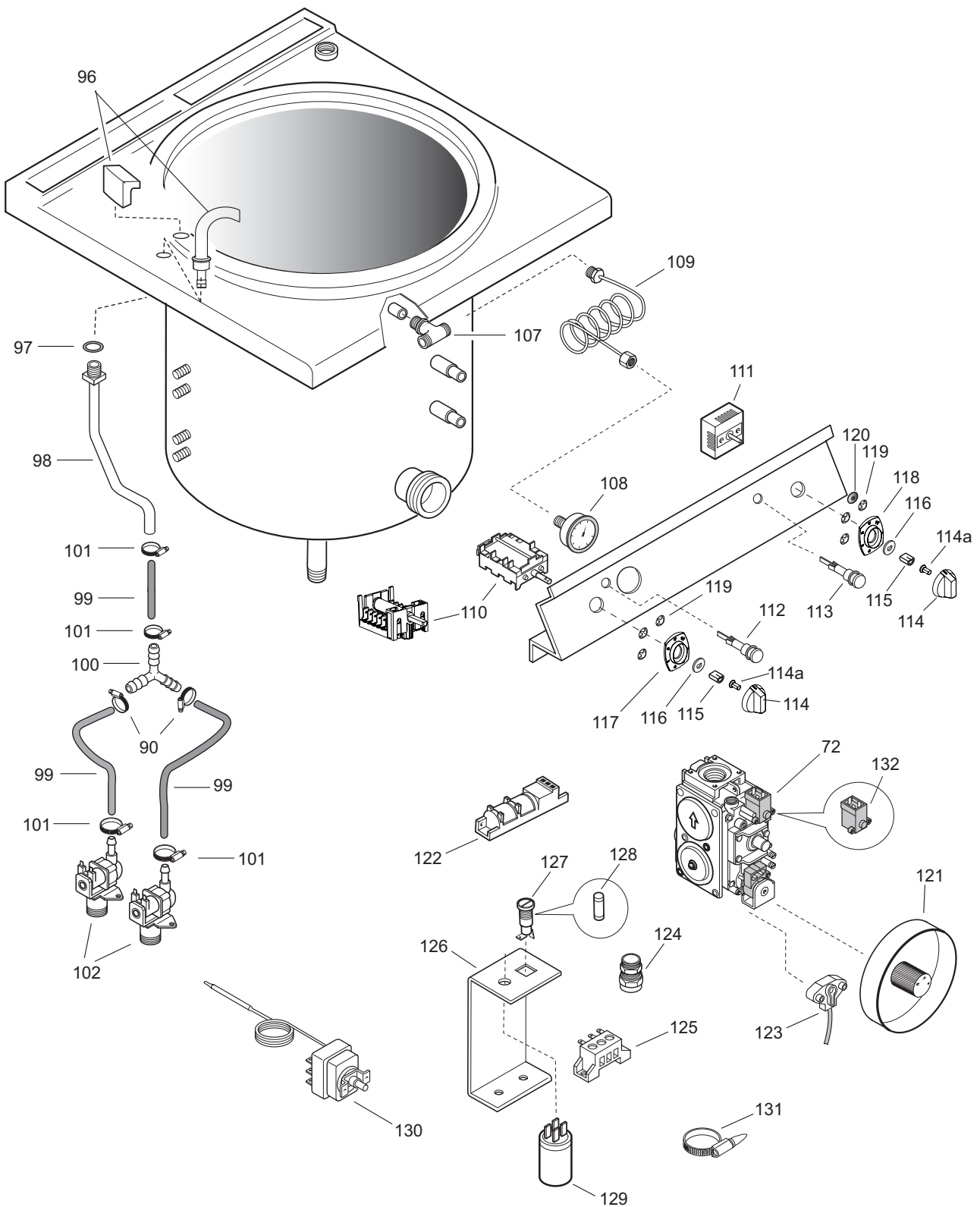
Bold=last change / Grassetto =ultima modifica

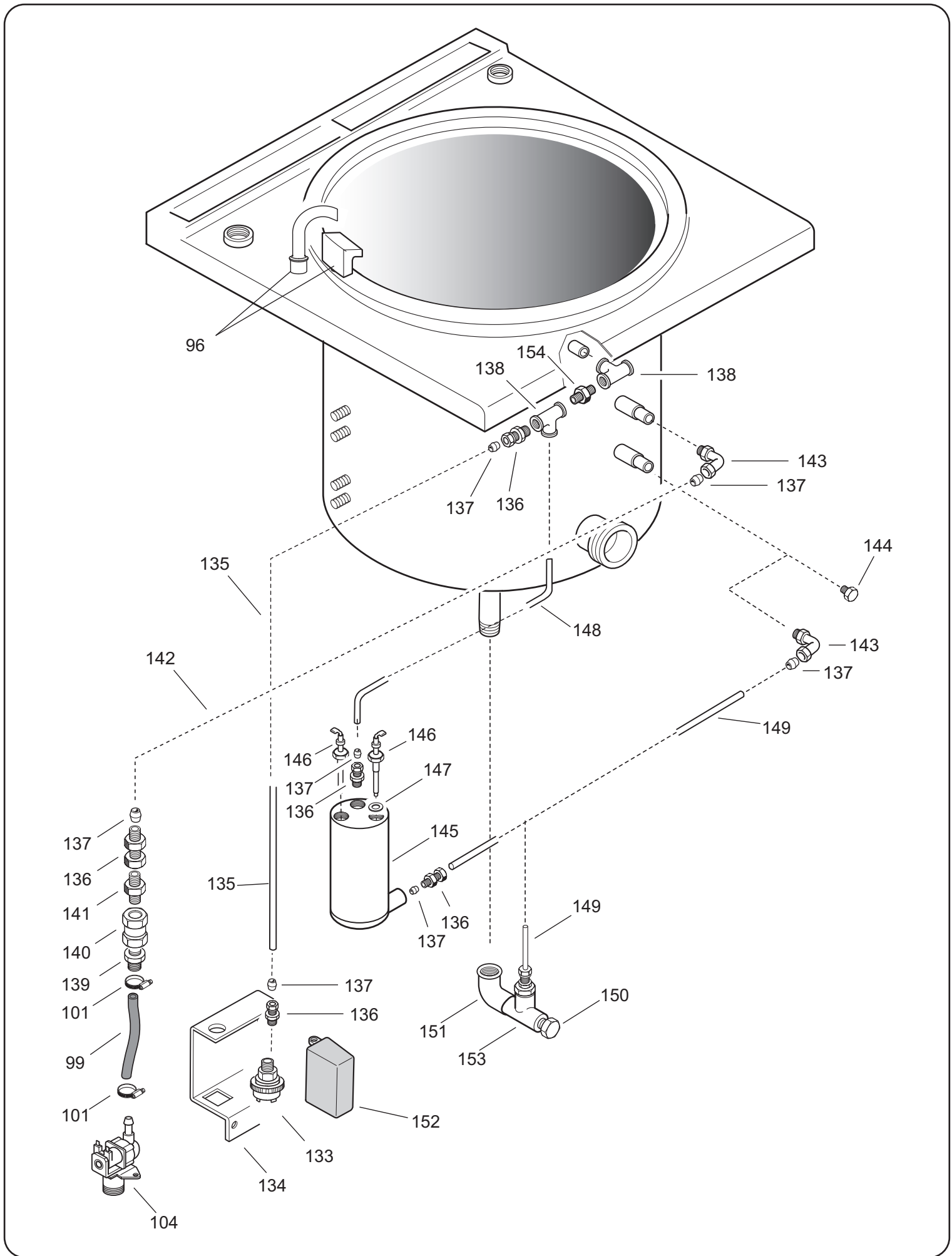
Rev. 3

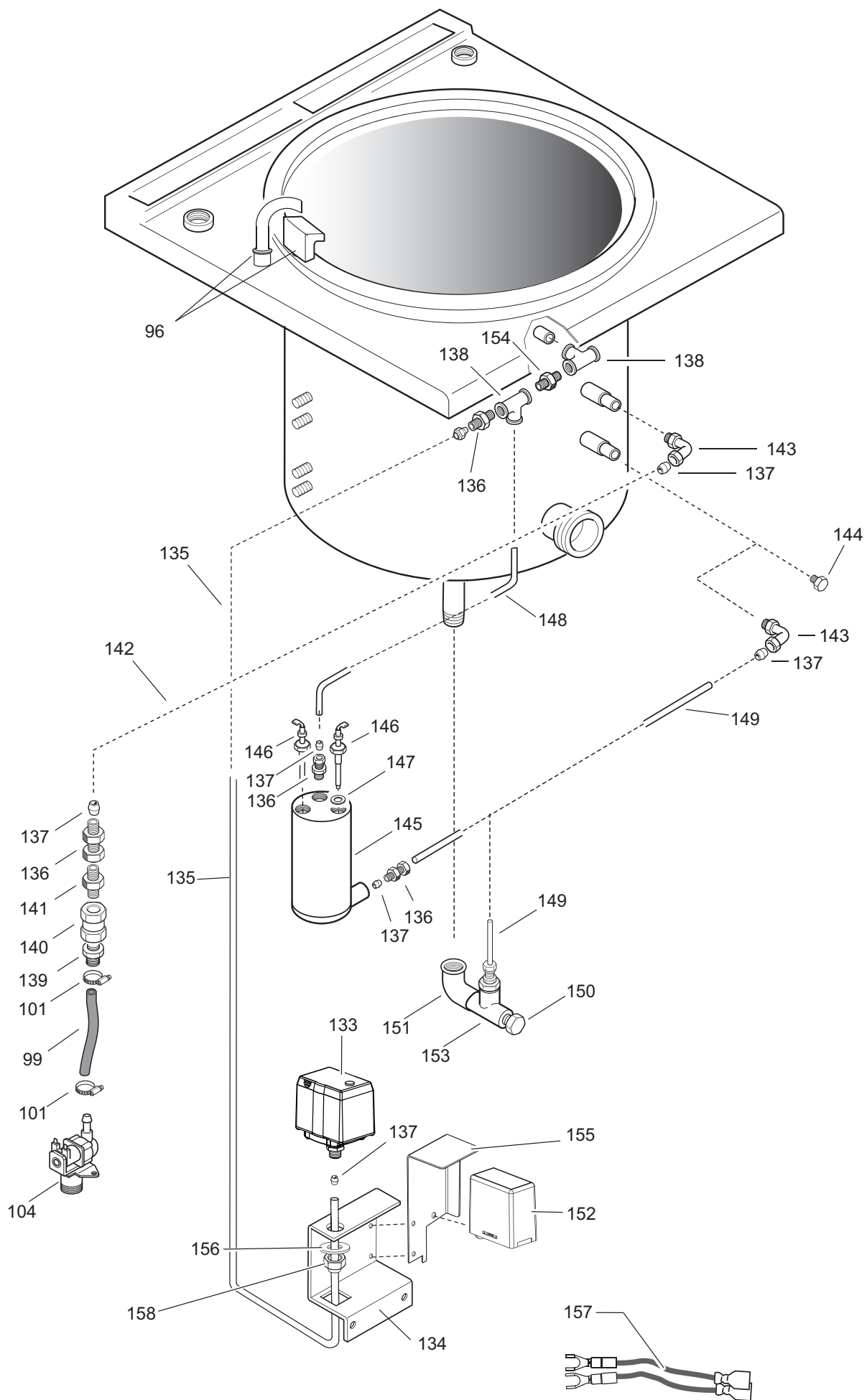
From Ser. Nr.116 Up to Ser. Nr.	Ed. 2015-07 Updated 2023-03	Page: 1	Doc No:59785UA00
------------------------------------	--------------------------------	---------	-------------------------











A - Ugello bruciatore / Burner nozzle 80 / 100LT			
6DGT Code	Ref. / Notes		
056470	ø 1.45	3B/P	G30 50 mbar
054127	ø 1.65	3B/P	G30 36 mbar
004727	ø 2.35	2H	G20 25 mbar
002268	ø 2.6	2L	G25 25mbar
0C0747	ø 2.7	2ELL	G25 20 mbar
002268	ø 2.6	2S	G25.1 25 mbar
054034	ø 3	No CE	G20 10 mbar
056563	ø 5	No CE	G110 8 mbar

A - Ugello bruciatore / Burner nozzle 150LT			
6DGT Code	Ref. / Notes		
003723	ø 1.75	3B/P	G30 36 mbar
003722	ø 1.55	3B/P	G30 50 mbar
002268	ø 2.60	2H	G20 25 mbar
003371	ø 2.75	2L	G25 25mbar
006419	ø 2.9	2ELL	G25 20 mbar
003371	ø 2.75	2S	G25.1 25 mbar
054084	ø 3.2	No CE	G20 10 mbar
0C3706	ø 5.3	No CE	G110 8 mbar
514862900	ø 4.8	No CE	G120 8 mbar

B - Ugello pilota / Pilot nozzle			
6DGT Code	Ref. / Notes		
	n°30	3B/P	G30 36 mbar
	n°30	3B/P	G30 50 mbar
	n°41	2H	G20 25 mbar
	n°41	2L	G25 25mbar
	n°41	2ELL	G25 20 mbar
	n°41	2S	G25.1 25 mbar
	n°75	No CE	G20 10 mbar
053669	n°75	No CE	G110 8 mbar
	n°75	No CE	G120 8 mbar

PENTOLE INDIRETTE 100/150Lt E900XP
 BOILING PAN INDIRECT HEATING 100/150Lt E900XP

Pos	Factory Code	Spare Code	Descrizione	Description	Ref./Notes
1	50489KA04	*	FONDO PENTOLA IND. GAS	BOTTOM PANEL IND. BOIL. PAN	80/100 lt
1	50489KB04	*	FONDO PENTOLA IND. GAS	BOTTOM PANEL IND. BOIL. PAN	100/150 lt
2	835856900	0C0204	PIEDE	FOOT	
3	50589CD00	*	PIASTRA DI RINFORZO PER PIEDI	PLATE FOR FOOT	
4	85089JC00	*	FIANCO DESTRO	LEFT PANEL	
5	85089JD00	*	FIANCO SINISTRO	RIGHT PANEL	
7	50589N401	*	ASTA TACCHE LIVELLI E CAPACITA'	MEASURING ROD	100 LT
7	50589N501	*	ASTA TACCHE LIVELLI E CAPACITA'	MEASURING ROD	150 LT
9	538844801	*	SCHIENALE 800mm	REAR PANEL 800mm	
10	527850500	0C0156	PIASTRA FISSAGGIO FIANCHI	SIDE PANEL JOINTING PLATE	
11	87089QT00	0CA979	RIPIANO PENTOLA INDIR.	TOP IND. BOILING PAN	80/100 lt Automatic Up to 2020/47
11	87089QT01	0CB873	RIPIANO PENTOLA INDIR.	TOP IND. BOILING PAN	80/100 lt Automatic From 2020/48
11	87089R000	0CA495	RIPIANO PENTOLA INDIR.	TOP IND. BOILING PAN	100/150 lt Up to 2020/47
11	87089R001	0CB880	RIPIANO PENTOLA INDIR.	TOP IND. BOILING PAN	100/150 lt From 2020/48
11	87089R900	0CA976	RIPIANO PENTOLA INDIR.	TOP IND. BOILING PAN	100/150 lt Autoclave Up to 2020/47
11	87089R901	0CB889	RIPIANO PENTOLA INDIR.	TOP IND. BOILING PAN	100/150 lt Autoclave From 2020/48
12	543821900	0C2496	GUARNIZIONE PER CRUSCOTTO	GASKET, CONTROL PANEL	
13	85089BQ00	0C7535	CRUSCOTTO	CONTROL PANEL	
14	50389XV00	0C8057	PANNELLO FRONTALE	FRONT PANEL BOIL. PAN	80/100 lt Up to 2022/29
14	5038ACG00	0CBASR	PANNELLO FRONTALE	FRONT PANEL BOIL. PAN	80/100 lt - GAS From 2022/30
14	5038ACN00	0CBASX	PANNELLO FRONTALE	FRONT PANEL BOIL. PAN	80/100 lt - GAS AUTOMATIC From 2022/30
14	50389XW00	0C8056	PANNELLO FRONTALE	FRONT PANEL BOIL. PAN	100/150 lt Up to 2022/29
14	5038ACH00	0CBASS	PANNELLO FRONTALE	FRONT PANEL BOIL. PAN	100/150 lt - GAS From 2022/30
14	5038ACP00	0CBASY	PANNELLO FRONTALE	FRONT PANEL BOIL. PAN	100/150 lt - GAS AUTOMATIC From 2022/30
15	214473001	026187	PERNO FISSAGGIO SPORTELLINO	PIN, FIXING DOOR	
16	508837201	002534	SPORTELLINO, FORO D'ISPEZIONE	DOOR, INSPECTION HOLE	
16a	527843000	*	SPORTELLINO, VALVOLA GAS	DOOR, GAS VALVE	
17	529845502	0C0709	PANNELLINO RUBINETTONE	PANEL FOR DRAIN TAPE	A,B,C,D
18	524882302	0C0740	TAMBURO FUMI	CYLINDER, COMBUSTION	80/100 lt
18	524882102	0C0741	TAMBURO FUMI	CYLINDER, COMBUSTION	100/150 lt
19	528820303	*	ANELLO CHIUSURA FUMI	RING	
20	527839601	*	SQUADRETTA X ANELLO FUMI	BRACKET, RING	
21	508818601	0C0814	SQUADRETTA SUPPORTO CAMINO	BRACKET, CHIMNEY FIXING	
22	524884703	*	ELEMENTO ANT. CAMINO	FRONT WALL CHIMNEY	80/100 lt
22	524882802	*	ELEMENTO ANT. CAMINO	FRONT WALL CHIMNEY	100/150 lt
23	524884802	*	ELEMENTO POST. CAMINO	BACK WALL CHIMNEY	80/100 lt
23	524882901	*	ELEMENTO POST. CAMINO	BACK WALL CHIMNEY	100/150 lt
24	527841202	*	DISTANZIALE PER CAMINO	SPACER FOR CHIMNEY	
25	835817102	056691	VALVOLA DI SICUREZZA	SAFETY VALVE	
26	282218301	051553	GUARNIZIONE	GASKET, SAFETY VALVE	
27	514895803	0C0710	RACCORDO	CONNECTION, SAFETY VALVE	

PENTOLE INDIRETTE 100/150Lt E900XP
 BOILING PAN INDIRECT HEATING 100/150Lt E900XP

Pos	Factory Code	Spare Code	Descrizione	Description	Ref./Notes
28	335239101	051566	VALVOLA DEPRESSIONE	DEPRESSION VALVE	
29	246005123	060597	GUARNIZIONE	GASKET, DEPRESSION VALVE	
30	50389LP00	0C7333	GRIGLIA PER CAMINO	GRID FOR CHIMNEY	
31	310122725	027114	GRIGLIA DI SCARICO	DRAIN GRID	
32	858800100	0C1876	KIT ANTI-CORROSIONE	ANTICORROSIVE KIT	
34	516860700	0C0137	PIASTRINA PER GIUNZIONE	JOINTING REAR PLATE	
35	50489SK00	0C0713	RINFORZO PER CERNIERA	REINFORCEMENT, HINGE	A,B,C,D
36	873838100	0C0714	COPERCHIO PENTOLA	LID, BOILING PAN	A,B,C,D
37	853891400	0C2072	MANIGLIA PENTOLA	HANDLE, LID	A,B,C,D
38	517856900	004468	DISTANZIALE PER MANIGLIA	SPACER FOR HANDLE	
38a	217223605	0C0950	VITE PER DISTANZIALE	SCREW, SPACER	
39	800814505	006181	SUPPORTO COPERCHIO	SUPPORT, LID	A,B,C,D
40	800823302	006926	COPERTURA SUPPORTO	COVERING, SUPPORT	A,B,C,D
41	805878802	006925	RINFORZO COPERCHIO	REINFORCEMENT, LID	A,B,C,D
42	217224125	0C2776	VITE FERMO MOLLA / CERNIERA	SCREW, SPRING LOCK	A,B,C,D
43	514894501	059518	MOLLA	SPRING	A,B,C,D
43	516804700	002981	MOLLA	SPRING	E
44	514894802	059862	ASSE PER CERNIERA	PIN, HINGE	
45	516804500	002982	FERMO PER MOLLA	LOCK, SPRING	
46	514894303	059864	BLOCCO CERNIERA	LOCK, HINGE	
47	516804600	002983	BLOCCO REGOLAZIONE MOLLA	LOCKNUT, ADJUSTING SPRING	
48	514894602	002944	SUPPORTO CERNIERA	SUPPORT, HINGE	
49	514895002	059859	VITE PER SUPPORTO CERNIERA	SCREW, SUPPORT HINGE	
50	514894701	059860	VITE PER ASSE CERNIERA	SCREW, PIN HINGE	
51	0874849408	059866	COPERCHIO AUTOCLAVE	LID, AUTOCLAVE BOILING PAN	E - Up to 2020/48
51	087589DN01	0CB896	COPERCHIO AUTOCLAVE	LID, AUTOCLAVE BOILING PAN	E - From 2020/49
52	0835876F00	0C7923	MANIGLIA COPERCHIO AUTOCLAVE	HANDLE, LID AUTOCLAVE	E - Up to 2020/48
52	0835876L00	0CB895	MANIGLIA COPERCHIO AUTOCLAVE	HANDLE, LID AUTOCLAVE	E - From 2020/49
53	835801801	052623	VALVOLA SCARICO FUMANA	SAFETY VAVLE	E
54	246173500	027300	GUARNIZIONE PER VALVOLA	GASKET	
56	204751901	025220	CALOTTA PER VALVOLA	CAP, VALVE DRAIN	E
57	569805200	*	GUARNIZIONE COPERCHIO	GASKET, LID	E
58	315280901	010142	VOLANTINO	HANDWHEEL	E
59	214063000	010147	VITE VOLANTINO	SCREW, HANDWHEEL	E
60	514802301	052616	PERNO	PIN	E
61	514802001	052614	VITE FISSAGGIO COPERCHIO	SCREW, FIXING TO LID	E
62	511800201	052612	BRACCIO ROTANTE	ROTATING ARM	E
63	514802201	052615	GHIERA	RING NUT	E
64	167098086	003363	GRASSO PER PERNO COPERCHIO	GREASE FOR LID	
65	514872501	0C0705	DADO CIECO 3/4" SCARICO INTERC.	CAP NUT 3/4" DRAIN INTERSPACE	
66	543817900	002869	GUARNIZIONE SCARICO INTERCAP.	GASKET, DRAIN INTERSPACE	
67	806823000	*	TUBO ISOLAMENTO SCARICO INTER.	INSULATION PIPE, DRAIN INTERSP.	
68	529845202	0CB670	SUPPORTO BRUC.-PILOTA	SUPPORT BURNER - PILOT	
69	214108111	041155	DADO, RIBALTA	NUT	
70	560841401	0CBAIG	ISOLAMENTO FONDO	BOTTOM INSULATION	
71	560841103	*	ISOLAMENTO PENTOLA	INSULATION BOILING PAN	80/100 lt
71	560841003	0C5123	ISOLAMENTO PENTOLA	INSULATION BOILING PAN	100/150 lt
72	835878800	0CA429	VALVOLA GAS SIT 820	GAS VALVE SIT 820	
73	215073101	060325	BICONO	DOUBLE CONE	
74	517866200	006622	RACCORDO A "L" - 1/2, RIBALTA	NIPPLE, 1/2", PIPE	Ø18
75	805899H03	0C6379	TUBO ENTRATA GAS	INLET PIPE, GAS	

PENTOLE INDIRETTE 100/150Lt E900XP
 BOILING PAN INDIRECT HEATING 100/150Lt E900XP

Pos	Factory Code	Spare Code	Descrizione	Description	Ref./Notes
76	805899L01	0C6378	RIBALTA	PIPE , GAS VALVE - BURNER	80/100 lt
76	805899J02	0C6366	RIBALTA	PIPE , GAS VALVE - BURNER	100/150 lt
77	830894702	0C0743	BRUCIATORE	BURNER	
78	830828001	054039	AREATORE REGOLAZIONE ARIA	AEREATOR	
79	514829700	054118	PORTAUGELLO	NOZZLE HOLDER	
80	506833401	054029	GUARNIZIONE UGELLO	GASKET, NOZZLE	
81	214105101	020997	CONTRODADO PORTAUGELLO	LOCK NUT, NOZZLE HOLDER	
82	830897501	0C0744	PILOTA	PILOT	
83	517875202	0C0745	CONDUTTURA PILOTA	PILOT PIPE	80/100 lt
83	517875102	0C0746	CONDUTTURA PILOTA	PILOT PIPE	100/150 lt
84	214164400	052125	RACCORDO M10X1	NIPPLE, M10X1	Ø 4
85	215199700	052127	BICONO SPEC	BICONICAL RING	Ø 4
86	515827401	053665	BICONO	BICONICAL RING	Ø 4
87	831818901	0C3162	TERMOCOPPIA INTERROTTA	THERMOCOUPLE INT.	
88	330272401	052610	ELETTRODO DI ACCENSIONE	ELECTRODE, IGNITION	
89	214164101	057960	RACCORDO FISS. CANDELA	NIPPLE, ELECTRODE	
90	0835823600	0CBCEG	FASCETTA	HOSE CLAMP	
91	835866201	0C1450	RUBINETTO DI LIVELLO	TAP, LEVEL JACKET	
92	516875001	0C1451	BORCHIETTA PER RUBINETTO	FIXING RING, TAP	
93	856841701	0S0950	BOCCHETTONE SCARICO COMPLETO	DRAIN VALVE COMPLETE	Up to 2021/11
93	856841702	0CA949	BOCCHETTONE SCARICO COMPLETO	DRAIN VALVE COMPLETE	From 2021/12
94	516861001	0C0716	CONTRODADO PER RUBINETTONE	LOCK NUT, DRAIN TAPE	
95	246003513	020279	GUARNIZIONE	GASKET, DRAIN TAPE	
96	0211794613	051521	EROGATORE ACQUA	WATER TAP	Up to 2020/47
96	0831841001	0CB871	EROGATORE ACQUA	WATER TAP	From 2020/48
97	543800600	052779	GUARNIZIONE OR	OR GASKET, WATER DISTRIB.	
98	830896401	0C6107	CONDUTTURA CARICO ACQUA	PIPE, DISTRIBUTOR	
99	140068008	002707	TUBO GOMMA CORAZZATO	FEEDING PIPE	
100	544615700	047431	RACCORDO A Y	CONNECTION Y	
101	835823600	0CBCEG	FASCETTA	HOSE CLAMP	
102	696805700	0C3254	ELETTROVALVOLA	MAGNETIC VALVE	
104	696805000	0C0938	ELETTROVALVOLA	MAGNETIC VALVE	
107	511820700	0C1449	RACCORDO T	CONNECTION T	
108	830895600	0C0712	MANOMETRO	MANOMETER	
109	830866802	059521	CAPILLARE PER MANOMETRO	CAPILLARY, MANOMETER	
110	641805401	0C9180	COMMUTATORE 4 POSIZIONI	SELECTOR 4 POSITIONS	
111	699802200	055016	REGOLATORE DI ENERGIA	ENERGY REGULATOR	
112	876800201	0C0687	LAMPADA ROSSA	RED LAMP	
113	876800002	005010	LAMPADA VERDE	GREEN LAMP	
114	511850G01	0C6670	MANOPOLA	KNOB	
114	548864302	0C3218	MANOPOLA PER VALVOLA GAS	KNOB FOR GAS VALVE	
114a	548877V00	0C7345	ADATTATORE MANOPOLA	KNOB ADAPTER	
115	214590701	025245	MOLLETTA PER MANOPOLA	SPRING, KNOB	
116	543821000	053816	GUARNIZIONE PER MANOPOLA	GASKET, KNOB	
117	548877B00	0C7526	GHIERA CARICO ACQUA	KNOB RING, WATER REFILL	
118	548877T00	0C7344	GHIERA REGOLATORE DI ENERGIA	KNOB RING, ENERGY REGULATOR	
119	218912211	069567	MOLLETTA PER GHIERA	SPRING, KNOB RING	
120	543821000	053816	GUARNIZIONE MANOPOLA	GUARNIZIONE MANOPOLA	
121	548864302	0C3218	PROLUNGA MANOPOLA VALVOLA	KNOB EXTENSION, GAS VALVE	
122	624804700	004240	ACCENDITORE	LIGHTER	
123	830831400	054539	CONSENSO ACC. VALVOLA	MICRO VALVE	

PENTOLE INDIRETTE 100/150Lt E900XP
BOILING PAN INDIRECT HEATING 100/150Lt E900XP

Pos	Factory Code	Spare Code	Descrizione	Description	Ref./Notes
124	544802200	*	PRESSACAVO	TOGHTENER CORD	
125	639804900	046357	MORSETTIERA	MAIN TERMINAL	
126	527842300	*	SUPPORTO MORSETTIERA	SUPPORT MAIN TERMINAL	
127	652800401	056582	PORTAFUSIBILE	HOLDER, FUSE	
128	452140500	057783	FUSIBILE 4A 250V	FUSE, 4A 250V	
129	694601000	046217	FILTRO ANTIDISTURBO	FILTER	
130	646813200	0C0999	TERMOSTATO DI SICUREZZA	SAFETY THERMOSTAT	
131	639810200	0C0717	FASCETTA PER FISS. CAVO ALIM.	HOSE CLAMP, FIXING CABLE	
132	-	0C1748	BOBINA VALV. SIT 820/240V 60HZ	COIL GAS VALVE SIT 820/240V 60HZ	1 code = 20pcs
133	646815500	0C4083	PRESSOSTATO	PRESSURE SWITCH	Up to 2022/29 Order 0CBAWH See TB PDX2022_02
133	646815500	0C4083	PRESSOSTATO	PRESSURE SWITCH	Up to 2022/29 AUTOMATIC Order 0CBAWJ See TB PDX2022_02
133	646817T00	0CBAQV	PRESSOSTATO	PRESSURE SWITCH	From 2022/30
134	527860900	0CA403	SUPPORTO PRESSOSTATO / GICAR	SUPPORT, PRESSURE SWITCH/GICAR	Up to 2022/29 AUTOMATIC
134	527842102	0C7083	SUPPORTO PRESSOSTATO	PLATE,PRESSURE SWITCH	Up to 2022/29
134	50589Q501	0CBAT8	SUPPORTO PRESSOSTATO	SUPPORT, PRESSURE SWITCH	From 2022/30
135	517881700	0C6391	CONDUTTURA PRESSOSTATO	PIPE, PRESSURE SWITCH	Up to 2022/29
135	517887301	0CA127	CONDUTTURA PRESSOSTATO	PIPE, PRESSURE SWITCH	Up to 2022/29 AUTOMATIC
135	51589DH01	0CBASL	CONDUTTURA PRESSOSTATO	PIPE, PRESSURE SWITCH	From 2022/30
135	51589DJ01	0CBASM	CONDUTTURA PRESSOSTATO	PIPE, PRESSURE SWITCH	From 2022/30 AUTOMATIC
136	515863500	0C0888	RACCORDO	NIPPLE	
137	51689A800	0CB036	BICONO DI TENUTA DIAM.6	DOUBLE CONE DIAM.6	
138	511820700	0C1449	RACCORDO T	"T" UNION PIPE	
139	51489GN00	*	RACCORDO A RESCA	NIPPLE	
140	835825500	058258	VALVOLA DI RITEGNO	NON RETURN VALVE	
141	511819600	0CA744	RIDUZIONE	REDUCTION UNION PIPE	
142	517887001	0C0936	CONDUTTURA ELETTR.-LIVELLO MAX	PIPE, MAGN.VALVE - MAX LEVEL	
143	511819700	0C5396	RACCORDO A L	"L" UNION PIPE	
144	511819900	0CB037	TAPPO MASCHIO ART A7 FIL ¼ OT CRT METALWORK	MALE PLUG	80/100LT AUTOM.
145	831812100	0C0940	BOTTIGLIA CONTROLLO DI LIVELLO	BOTTLE, CONTROL LEVEL	
146	83089RT00	0CBCMU	SONDA H60	PROBE H60	80/100LT AUTOM.
146	83089RU00	0CBCMF	SONDA H175	PROBE H175	100/150LT AUTOM.
147	516873100	0C5234	DISTANZIALE	SPACER	
148	517887202	0C0935	CONDUTTURA SFIATO BOTTIGLIA	PIPE, BOTTLE	
149	517887701	0C1565	CONDUTTURA LIVELLO INF. 100Lt	PIPE, DRAIN JACKET - BOTTLE 100Lt	80/100LT AUTOM.
149	517887102	0C0941	CONDUTTURA LIVELLO MIN-BOTT.150Lt	PIPE, MIN LEVEL - BOTTLE 150Lt	100/150LT AUTOM.
150	230803004	*	TAPPO 1/2"	TAP 1/2"	80/100LT AUTOM.
151	230134304	*	GOMITO	UNION ELBOW	80/100LT AUTOM.
152	646813400	0C0937	REGOLATORE DI LIVELLO GICAR	GICAR, LEVER REGULATOR	AUTOMATIC
153	511818100	0C1040	"T"	"T" UNION PIPE	80/100LT AUTOM
154	511820000	0CB035	NIPPLO N8 ¼ GAS UNI 5192-86	NIPPLE N8 ¼ GAS	
155	050589Q600	0CBAQW	SUPPORTO CONTROLLO DI LIVELLO	LEVEL CONTROL SUPPORT	From 2022/30 AUTOMATIC
156	0518817400	0C5030	WASHER Ø.13.9 X Ø.28 X AISI 430	RONDELLA Ø.13.9 X Ø.28 X AISI 430	From 2022/30
157	063889BG00	0CBAUA	CABLE ADAPTER FOR NEW PRESSOSTAT	CABLAGGIO ADATTATORE	From 2022/30
158	051689B100	0CBAT9	HEX NUT G1/4 F X NOSE CONE	DADO ESAGONALE G1/4 F	From 2022/30

Electrolux Professional SpA
Viale Treviso, 15
33170 Pordenone, ITALY
Fax (+39) 0434 380 201
<https://www.electroluxprofessional.com>
<https://webgate.electroluxprofessional.com>